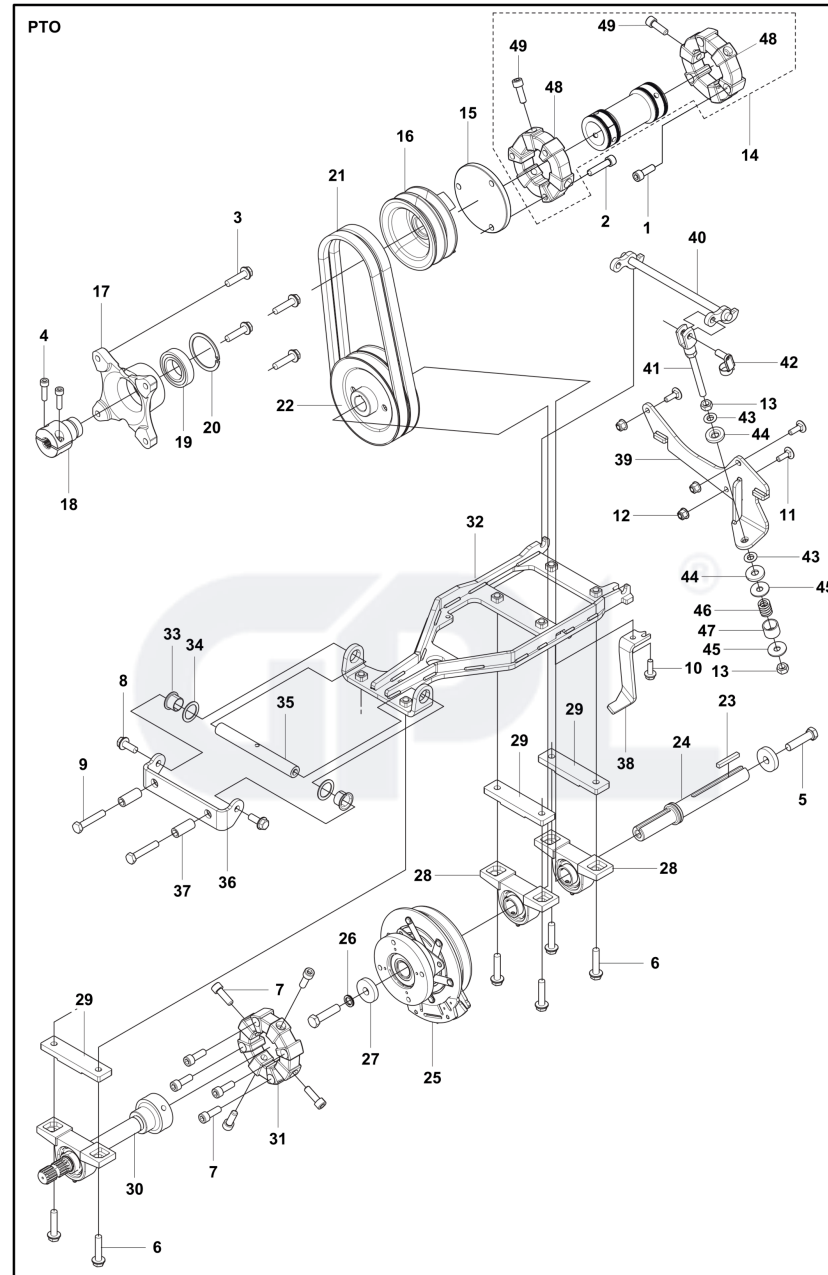




2025-09-04

## Husqvarna P 520DX





| Referens | Art.nr    | Artikelnamn | Mängd | Kommentar |
|----------|-----------|-------------|-------|-----------|
| 1        | 502233601 | SKRUV IHSCM | 1     |           |
| 2        | 502233602 | SKRUV IHSCM | 3     |           |
| 3        | 506675402 | SKRUV EHHFM | 4     |           |
| 4        | 725545501 | SKRUV IHSCM | 2     |           |
| 5        | 725254285 | SCREW       | 2     |           |
| 6        | 506675403 | SKRUV EHHFM | 6     |           |
| 7        | 502233601 | SKRUV IHSCM | 8     |           |
| 8        | 506675401 | SKRUV EHHFM | 2     |           |
| 9        | 725250271 | SKRUV EHHM  | 2     |           |
| 10       | 506570105 | SKRUV EHHFM | 1     |           |
| 11       | 535423801 | SKRUV RSQM  | 3     |           |

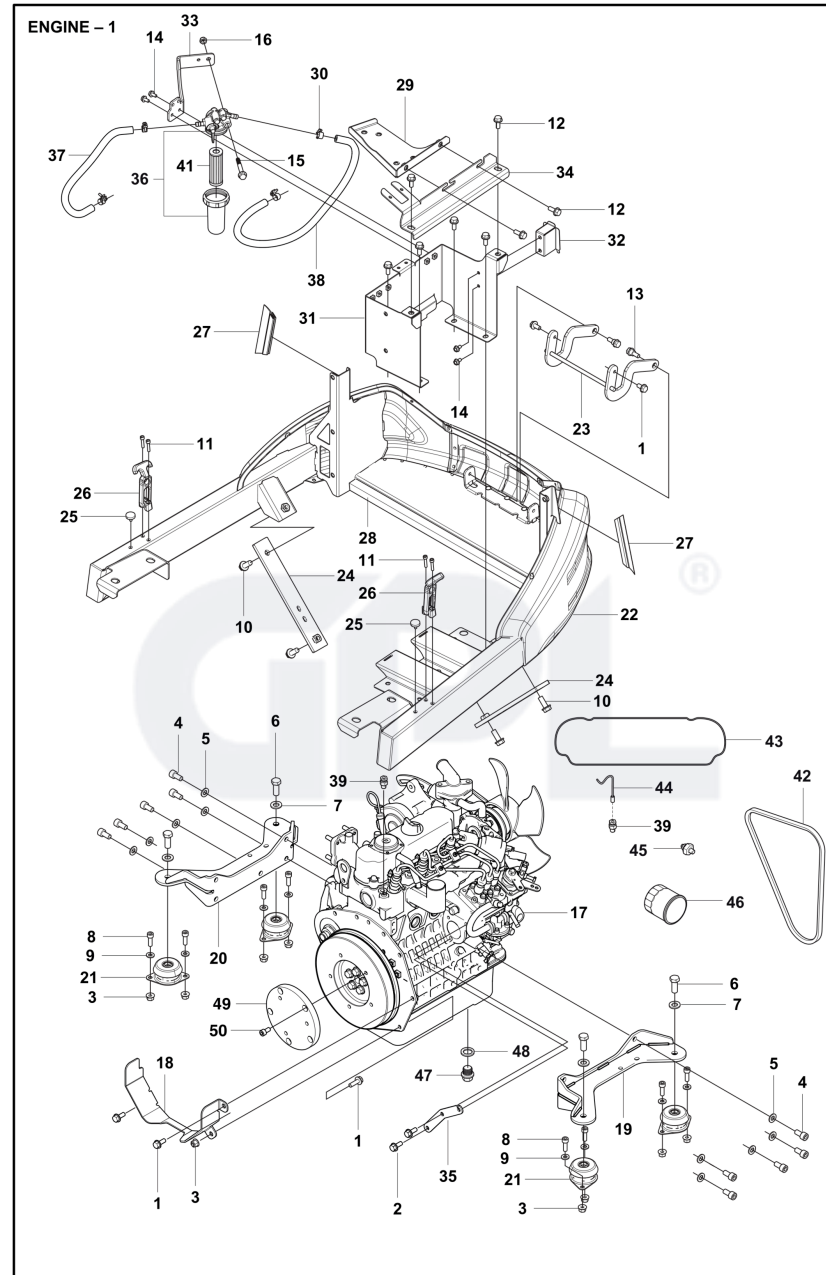
|    |           |                  |   |
|----|-----------|------------------|---|
| 12 | 576645704 | NUT FLANGE       | 3 |
| 13 | 731232001 | MUTTER (HEXAGON) | 2 |
| 14 | 515983202 | KOPPLING KPL     | 1 |
| 15 | 515983501 | DISTANSBRICKA    | 1 |
| 16 | 505020401 | REMSKIVA         | 1 |
| 17 | 506043202 | LAGERHÅLLARE     | 1 |
| 18 | 506043401 | AXEL             | 1 |
| 19 | 522664401 | KULLAGER         | 1 |
| 20 | 522664301 | SPÅRRING         | 1 |
| 21 | 589539501 | REM              | 1 |
| 22 | 585999301 | PULLEY ASSY      | 1 |
| 23 | 504813501 | KIL              | 1 |

|    |           |             |   |
|----|-----------|-------------|---|
| 24 | 579296201 | AXEL        | 1 |
| 25 | 597692501 | KOPPLING    | 1 |
| 26 | 510243601 | BRICKA      | 1 |
| 27 | 596987201 | BRICKA      | 2 |
| 28 | 597474401 | LAGERENHET  | 2 |
| 29 | 597513101 | DISTANSPLÅT | 3 |
| 30 | 599442601 | AXEL KPL    | 1 |
| 31 | 501323201 | GUMMIRING   | 1 |
| 32 | 597504201 | FÄSTE       | 1 |
| 33 | 574561901 | LAGER       | 2 |
| 34 | 506504806 | BRICKA      | 2 |
| 35 | 597563501 | AXEL        | 1 |

|    |           |                 |   |
|----|-----------|-----------------|---|
| 36 | 597535401 | FÄSTE           | 1 |
| 37 | 597587801 | RÖRHYLSA        | 2 |
| 38 | 597514001 | STAG            | 1 |
| 39 | 597514101 | FÄSTE           | 1 |
| 40 | 597559501 | REMSPÄNNARE KPL | 1 |
| 41 | 598436602 | KOPPLINGSSTÅNG  | 1 |
| 42 | 506839803 | BULT            | 1 |
| 43 | 576473503 | BRICKA          | 2 |
| 44 | 576473502 | BRICKA          | 2 |
| 45 | 734117441 | BRICKA          | 2 |
| 46 | 598819901 | FJÄDER          | 1 |
| 47 | 598822701 | HYLSA           | 1 |

|    |           |             |   |
|----|-----------|-------------|---|
| 48 | 515983401 | GUMMIRING   | 1 |
| 49 | 725549501 | SKRUV IHSCM | 1 |







| Referens | Art.nr    | Artikelnamn | Mängd | Kommentar |
|----------|-----------|-------------|-------|-----------|
| 1        | 506570104 | SKRUV EHHFM | 2     |           |
| 2        | 506570104 | SKRUV EHHFM | 2     |           |
| 3        | 576645704 | NUT FLANGE  | 9     |           |
| 4        | 576426701 | SKRUV IHSCM | 10    |           |
| 5        | 734117201 | BRICKA      | 12    |           |
| 6        | 725253671 | SKRUV EHHM  | 4     |           |
| 7        | 734117801 | BRICKA      | 4     |           |
| 8        | 725545301 | SKRUV IHSCM | 8     |           |
| 9        | 734116401 | BRICKA      | 8     |           |
| 10       | 506675401 | SKRUV EHHFM | 4     |           |
| 11       | 725533365 | SKRUV IHSCM | 4     |           |

|    |           |                   |   |
|----|-----------|-------------------|---|
| 12 | 506570104 | SKRUV EHHFM       | 8 |
| 13 | 506597401 | SKRUV EHHFM       | 2 |
| 14 | 535475212 | SKRUV EHHFM       | 4 |
| 15 | 506570108 | SKRUV EHHFM       | 1 |
| 16 | 732211801 | LOCK NUT          | 2 |
| 17 | 597709101 | MOTORENHET        | 1 |
| 18 | 579582301 | SKYDDSPLÅT        | 1 |
| 19 | 597335901 | FÄSTE             | 1 |
| 20 | 597335902 | FÄSTE             | 1 |
| 21 | 587448301 | VIBRATIONISOLATOR | 4 |
| 22 | 597656801 | MOTORBÅGE         | 1 |
| 23 | 576464501 | GÅNGJÄRN          | 1 |

|    |           |                   |   |
|----|-----------|-------------------|---|
| 24 | 579161301 | STAG              | 2 |
| 25 | 579488501 | VIBRATIONISOLATOR | 2 |
| 26 | 576433301 | SPÄRRHAKE         | 2 |
| 27 | 576640501 | TÄTNINGSLIST      | 2 |
| 28 | 576990404 | PACKNING          | 1 |
| 29 | 597468501 | PLATTA            | 1 |
| 30 | 544282601 | SLANGKLÄMMA       | 4 |
| 31 | 599813301 | FÄSTE             | 1 |
| 32 | 597740201 | FÄSTE             | 1 |
| 33 | 599832301 | FÄSTE             | 1 |
| 34 | 597547001 | FÄSTE             | 1 |
| 35 | 576659401 | FÄSTE             | 1 |

|    |           |               |   |                   |
|----|-----------|---------------|---|-------------------|
| 36 | 576955701 | BRÄNSLEFILTER | 1 |                   |
| 37 | 585510503 | BRÄNSLESLANG  | 1 |                   |
| 39 | 599301901 | ANSLUTNING    | 1 |                   |
| 41 | 578010101 | FÖRFILTER     | 1 |                   |
| 42 | 578009901 | REM           | 1 |                   |
| 43 | 578009701 | PACKNING      | 1 |                   |
| 44 | 599296601 | KABLAGE KPL   | 1 | Water temp sensor |
| 45 | 578010301 | BRYTARE       | 1 | Oil switch        |
| 46 | 578009801 | OIL FILTER    | 1 |                   |
| 47 | 578009502 | PLUGG         | 1 |                   |
| 48 | 578009602 | PACKNING      | 1 |                   |
| 49 | 575970901 | PLATTA        | 1 |                   |

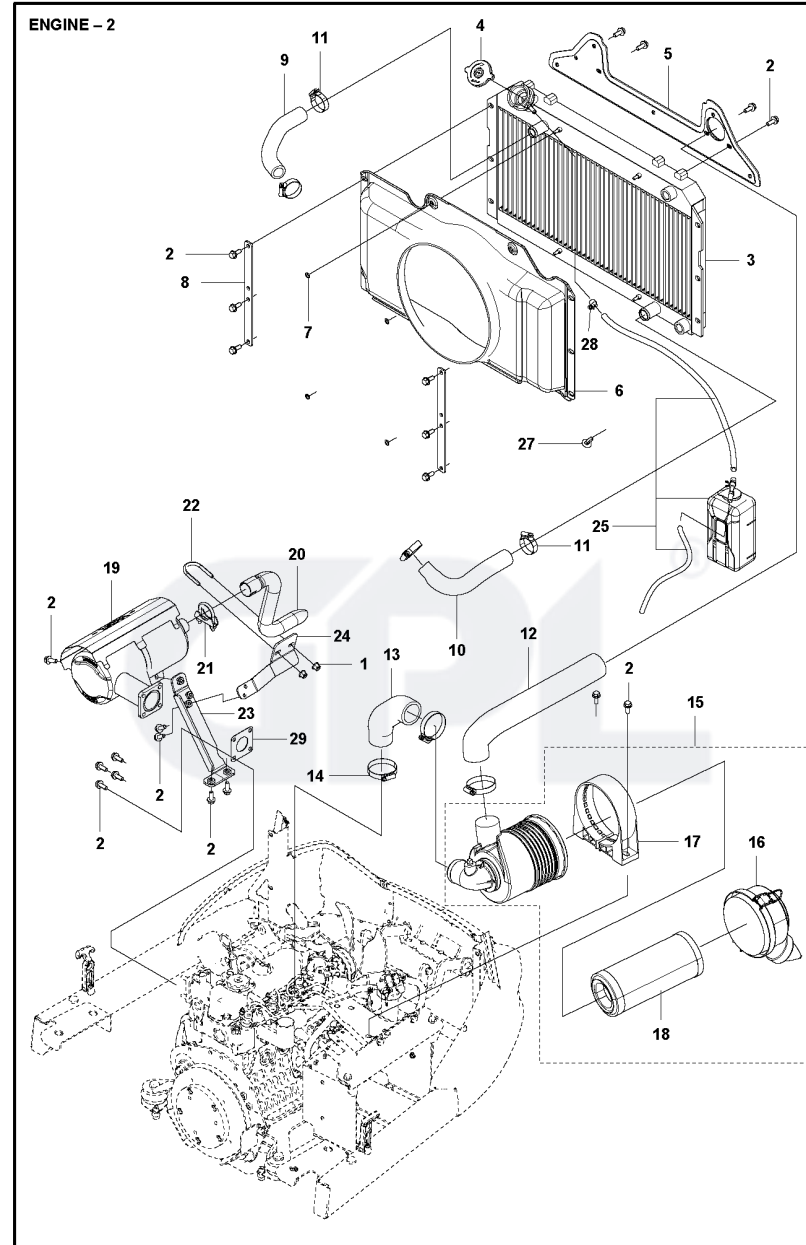
50

725544901

SKRUV IHSCM

1





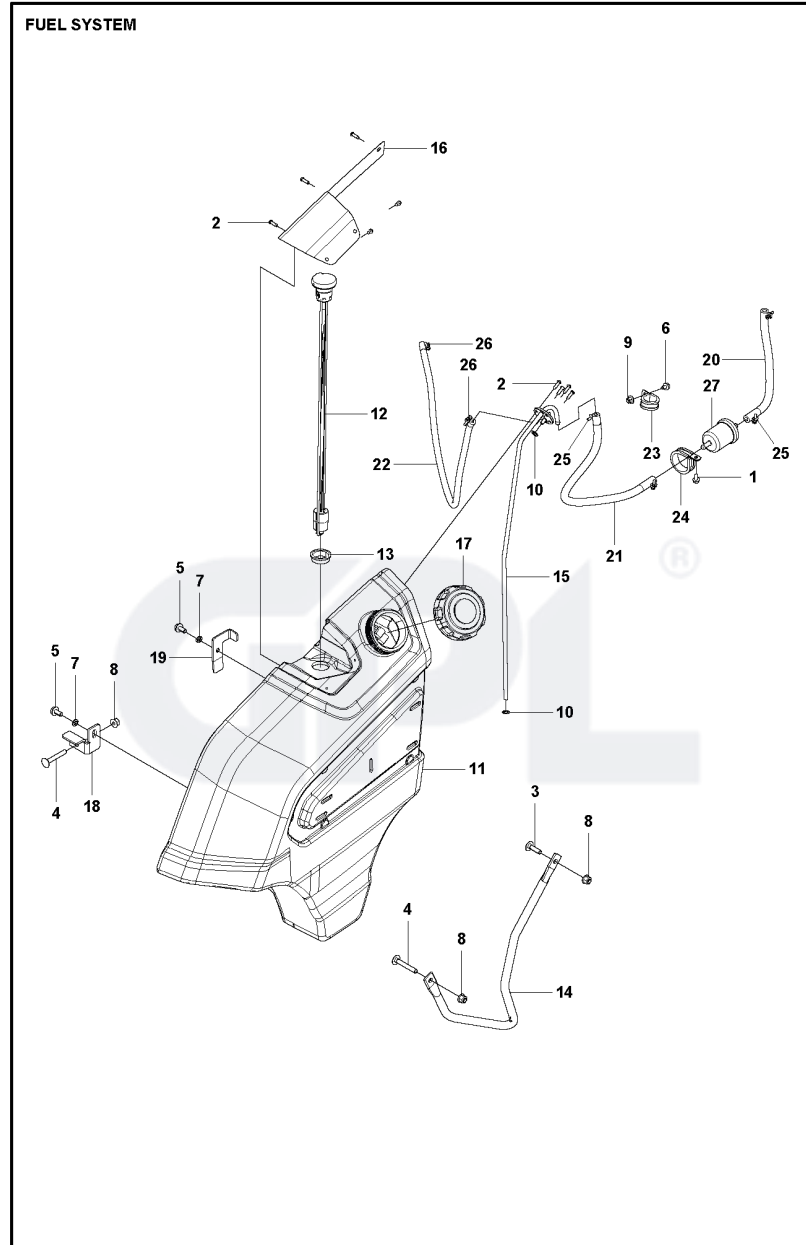
| Referens | Art.nr    | Artikelnamn | Mängd | Kommentar |
|----------|-----------|-------------|-------|-----------|
| 1        | 576645704 | NUT FLANGE  | 2     |           |
| 2        | 506570104 | SKRUV EHHFM | 21    |           |
| 3        | 597296401 | KYLARE      | 1     |           |
| 4        | 577093501 | HATT        | 1     |           |
| 5        | 579582001 | VÄGG        | 1     |           |
| 6        | 581613701 | KÅPA        | 1     |           |
| 7        | 506963601 | BRICKA      | 4     |           |
| 8        | 577807801 | PLATTA      | 2     |           |
| 9        | 581536201 | SLANG       | 1     |           |
| 10       | 575970501 | SLANG       | 1     |           |
| 11       | 544202702 | SLANGKLÄMMA | 4     |           |

|    |           |             |   |
|----|-----------|-------------|---|
| 12 | 597412501 | SLANG       | 1 |
| 13 | 597412401 | SLANG       | 1 |
| 14 | 544202703 | SLANGKLÄMMA | 3 |
| 15 | 576379601 | LUFTRENARE  | 1 |
| 16 | 581515901 | LUFTFILTER  | 1 |
| 17 | 522598401 | FÄSTE       | 1 |
| 18 | 544283001 | LUFTFILTER  | 1 |
| 19 | 597032801 | LJUDDÄMPARE | 1 |
| 20 | 597077201 | Exhaust     | 1 |
| 21 | 501152202 | CLAMP ASSY  | 1 |
| 22 | 501152204 | CLAMP ASSY  | 1 |
| 23 | 598686601 | FÄSTE       | 1 |



|    |           |                |   |
|----|-----------|----------------|---|
| 24 | 597149001 | FÄSTE          | 1 |
| 25 | 589315601 | EXPANSIONSTANK | 0 |
| 27 | 579317401 | SPÄNNBAND      | 1 |
| 28 | 544282601 | SLANGKLÄMMA    | 1 |
| 29 | 576972501 | PACKNING       | 1 |



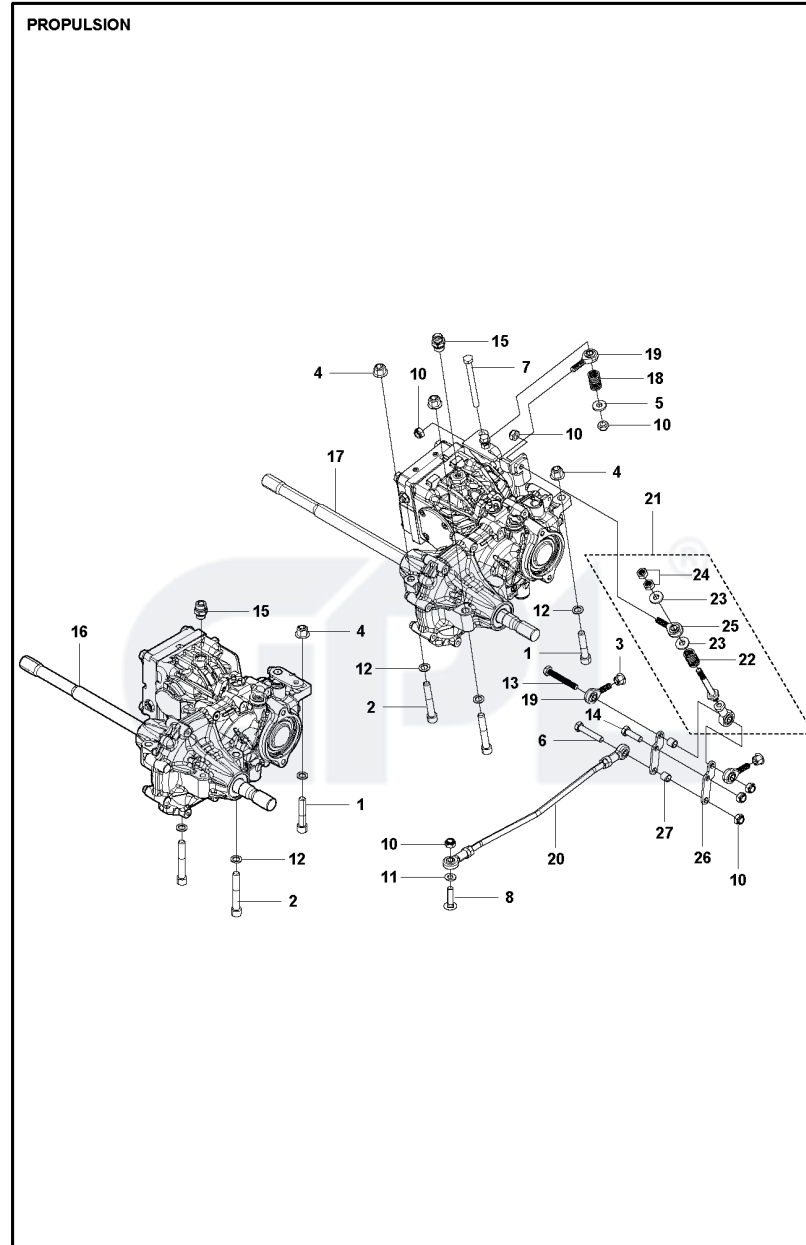


| Referens | Art.nr    | Artikelnamn   | Mängd | Kommentar |
|----------|-----------|---------------|-------|-----------|
| 1        | 535475212 | SKRUV EHHFM   | 1     |           |
| 2        | 502435301 | SKRUV ITXPANT | 9     |           |
| 3        | 535423805 | SKRUV RSQM    | 1     |           |
| 4        | 535423802 | SKRUV RSQM    | 2     |           |
| 5        | 506570103 | SKRUV EHHFM   | 2     |           |
| 6        | 725236461 | SKRUV EHHFT   | 1     |           |
| 7        | 503230403 | BRICKA        | 2     |           |
| 8        | 576645704 | NUT FLANGE    | 3     |           |
| 9        | 576645703 | MUTTER        | 1     |           |
| 10       | 740481202 | O-RING        | 2     |           |
| 11       | 597073501 | BRÄNSLETANK   | 1     |           |

|    |           |              |   |
|----|-----------|--------------|---|
| 12 | 597485601 | TOLK         | 1 |
| 13 | 590209101 | GENOMFÖRING  | 1 |
| 14 | 579570101 | RÖR          | 1 |
| 15 | 597074101 | RÖR          | 1 |
| 16 | 597082201 | FÄSTE        | 1 |
| 17 | 599643001 | TANKLOCK     | 1 |
| 18 | 597076201 | FÄSTE        | 1 |
| 19 | 597079301 | FÄSTE        | 1 |
| 20 | 599334902 | BRÄNSLESLANG | 1 |
| 21 | 599334904 | BRÄNSLESLANG | 1 |
| 22 | 585510507 | BRÄNSLESLANG | 1 |
| 23 | 574531201 | SLANGKLÄMMA  | 1 |

|    |           |             |   |
|----|-----------|-------------|---|
| 24 | 574531202 | SLANGKLÄMMA | 1 |
| 25 | 544282601 | SLANGKLÄMMA | 4 |
| 26 | 544282606 | SLANGKLÄMMA | 2 |
| 27 | 576955501 | FÖRFILTER   | 1 |





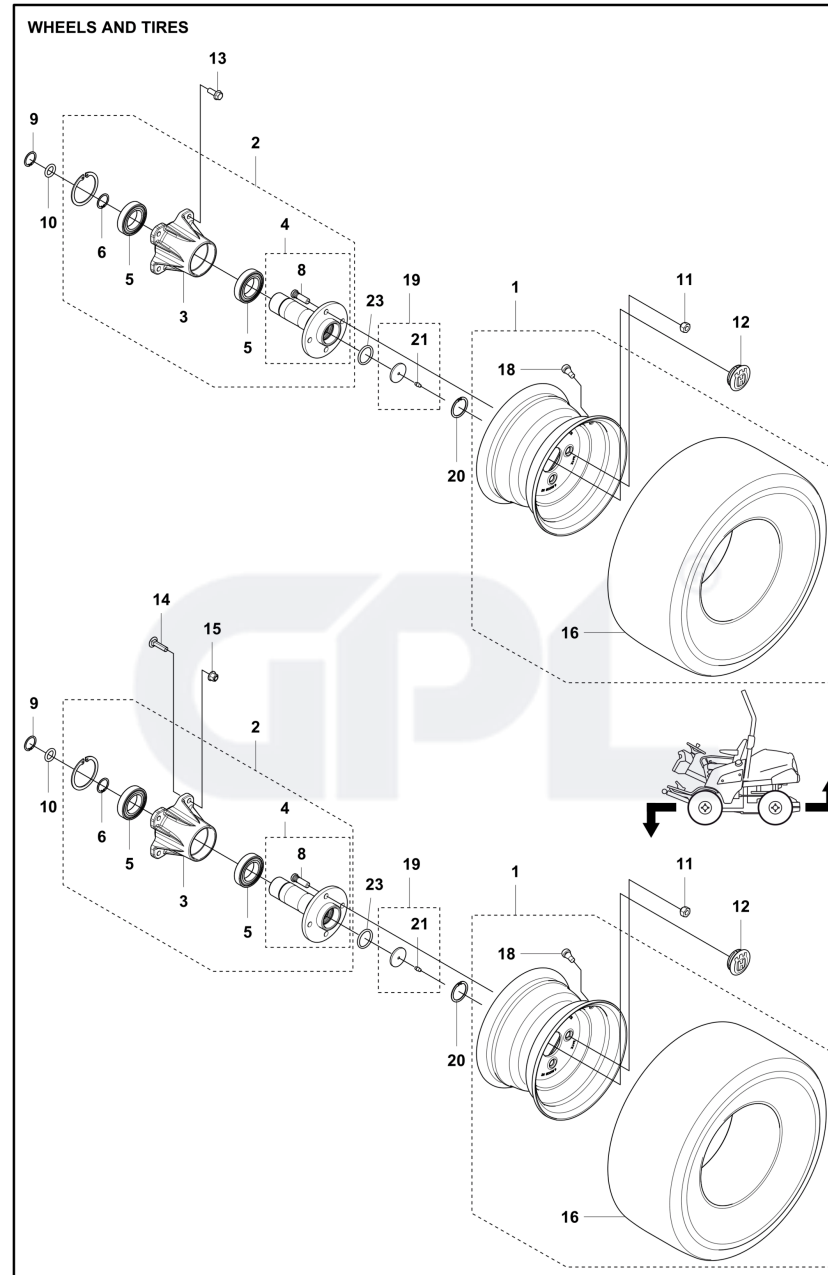
| Referens | Art.nr    | Artikelnamn | Mängd | Kommentar |
|----------|-----------|-------------|-------|-----------|
| 1        | 544256301 | SKRUV IHSCM | 2     |           |
| 2        | 544256303 | SKRUV IHSCM | 4     |           |
| 3        | 576645705 | NUT FLANGE  | 3     |           |
| 4        | 576645706 | MUTTER      | 4     |           |
| 5        | 576823101 | BRICKA      | 1     |           |
| 6        | 725250271 | SKRUV EHHM  | 2     |           |
| 7        | 725251351 | SKRUV EHHM  | 1     |           |
| 8        | 727649951 | SCREW       | 1     |           |
| 10       | 732212001 | LOCK NUT    | 7     |           |
| 11       | 734117201 | BRICKA      | 1     |           |
| 12       | 734117771 | BRICKA      | 6     |           |

|    |           |               |   |
|----|-----------|---------------|---|
| 13 | 577376701 | SKRUV EHHM    | 1 |
| 14 | 725249751 | SCREW         | 1 |
| 15 | 575881402 | KOPPLING      | 2 |
| 16 | 579409001 | TRANSMISSION  | 1 |
| 17 | 579408901 | TRANSMISSION  | 1 |
| 18 | 577390601 | FJÄDER        | 1 |
| 19 | 577408501 | LÄNKHUVUD     | 3 |
| 20 | 577388601 | DRAGSTÅNG     | 1 |
| 21 | 577389601 | SPEED LIMITER | 1 |
| 22 | 577390601 | FJÄDER        | 1 |
| 23 | 576823101 | BRICKA        | 2 |
| 24 | 586050101 | MUTTER        | 2 |



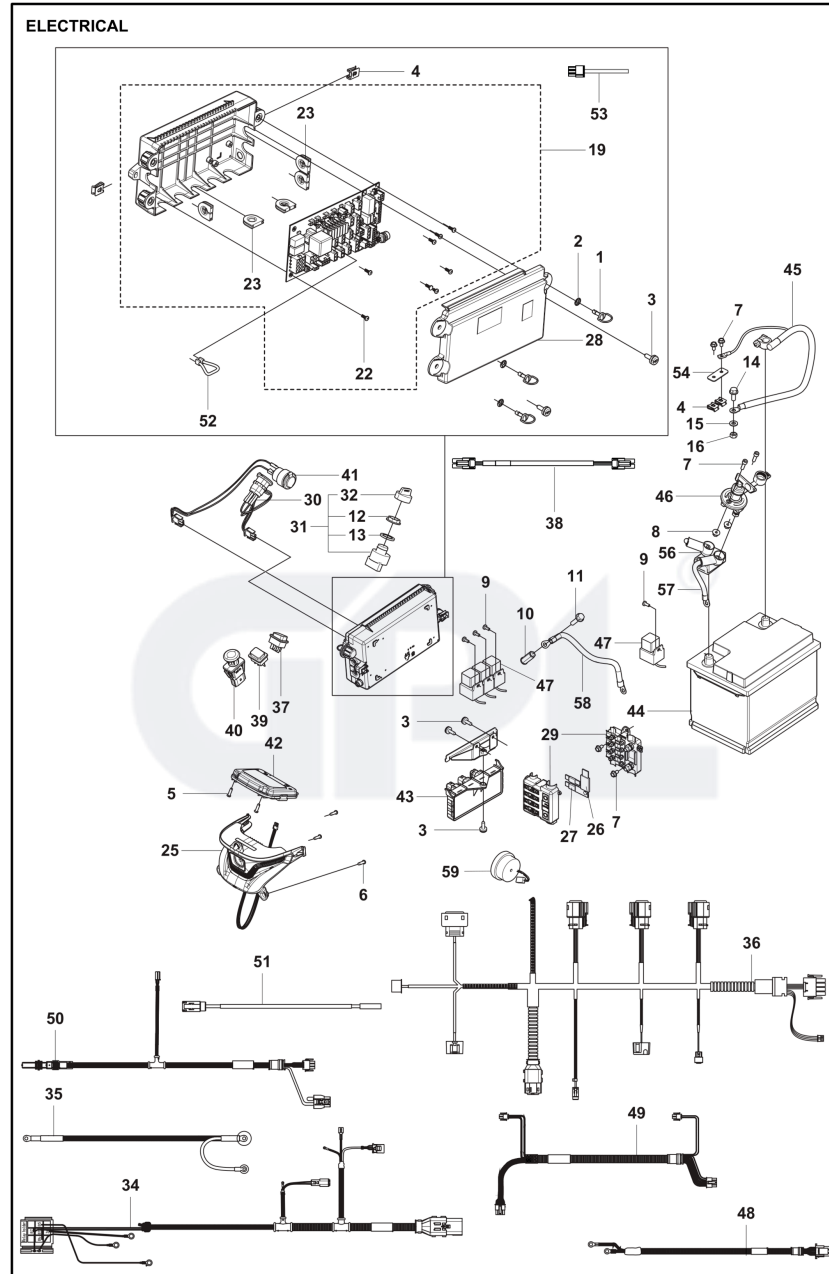
|    |           |           |   |
|----|-----------|-----------|---|
| 25 | 577408501 | LÄNKHUVUD | 1 |
| 26 | 577401001 | PLATTA    | 2 |
| 27 | 577400301 | BUSHING   | 2 |





| Referens | Art.nr    | Artikelnamn | Mängd | Kommentar                 |
|----------|-----------|-------------|-------|---------------------------|
| 1        | 597711201 | HJUL KPL    | 4     |                           |
| 2        | 597526301 | NAV KPL     | 4     |                           |
| 3        | 575887501 | LAGERHUS    | 1     |                           |
| 4        | 538957401 | HJULAXEL    | 4     | Including 4 mounted bolts |
| 5        | 738210904 | KULLAGER    | 2     |                           |
| 6        | 576127701 | LOCK RING   | 1     |                           |
| 8        | 599442701 | TAPP        | 16    |                           |
| 9        | 735313110 | SPÅRRING    | 4     |                           |
| 10       | 576127801 | O-RING      | 4     |                           |
| 11       | 506865001 | HJULMUTTER  | 16    | M12x1.5                   |
| 12       | 506864801 | SKYDDSKÅPA  | 4     |                           |

|    |           |              |   |        |
|----|-----------|--------------|---|--------|
| 13 | 506675401 | SKRUV EHHFM  | 8 | M10x25 |
| 14 | 727649951 | SCREW        | 8 | M10x40 |
| 15 | 576645705 | NUT FLANGE   | 8 | M10    |
| 16 | 599589501 | DÄCK         | 4 |        |
| 18 | 523034701 | VENTIL       | 1 |        |
| 19 | 597656901 | COVER ASSY   | 1 |        |
| 20 | 735313910 | SPÅRRING     | 1 |        |
| 21 | 738881001 | SMÖRJNIPPEL  | 1 |        |
| 23 | 599443501 | SEALING RING | 2 |        |



| Referens | Art.nr    | Artikelnamn      | Mängd | Kommentar |
|----------|-----------|------------------|-------|-----------|
| 1        | 597907101 | LÅSPINNE         | 3     |           |
| 2        | 597907601 | BRICKA           | 3     |           |
| 3        | 574856202 | SCREW            | 6     |           |
| 4        | 535429101 | SPRING NUT       | 4     |           |
| 5        | 502435301 | SKRUV ITXPANT    | 5     |           |
| 6        | 535475212 | SKRUV EHHFM      | 4     |           |
| 7        | 725537001 | SKRUV IHSCM      | 2     |           |
| 8        | 576645703 | MUTTER           | 2     |           |
| 9        | 544291302 | SKRUV ITXPANM    | 4     |           |
| 10       | 576434201 | MUTTER (HEXAGON) | 1     |           |
| 11       | 506570106 | SKRUV EHHFM      | 1     |           |

|    |           |                  |   |      |
|----|-----------|------------------|---|------|
| 12 | 535476101 | MUTTER           | 1 |      |
| 13 | 535475001 | BRICKA           | 1 |      |
| 15 | 734116401 | BRICKA           | 1 |      |
| 16 | 731231801 | MUTTER (HEXAGON) | 1 |      |
| 19 | 599706802 | ELEKTRONIKBOX    | 1 |      |
| 22 | 535130310 | SKRUV ITXPANT    | 8 |      |
| 23 | 544381501 | BUSHING          | 1 |      |
| 25 | 593728501 | HEADLIGHT        | 1 |      |
| 26 | 599832001 | SÄKRING          | 1 | 150A |
| 27 | 599831901 | SÄKRING          | 2 | 50A  |
| 28 | 597708101 | LOCK             | 1 |      |
| 29 | 597622101 | FUSE BOX         | 1 |      |

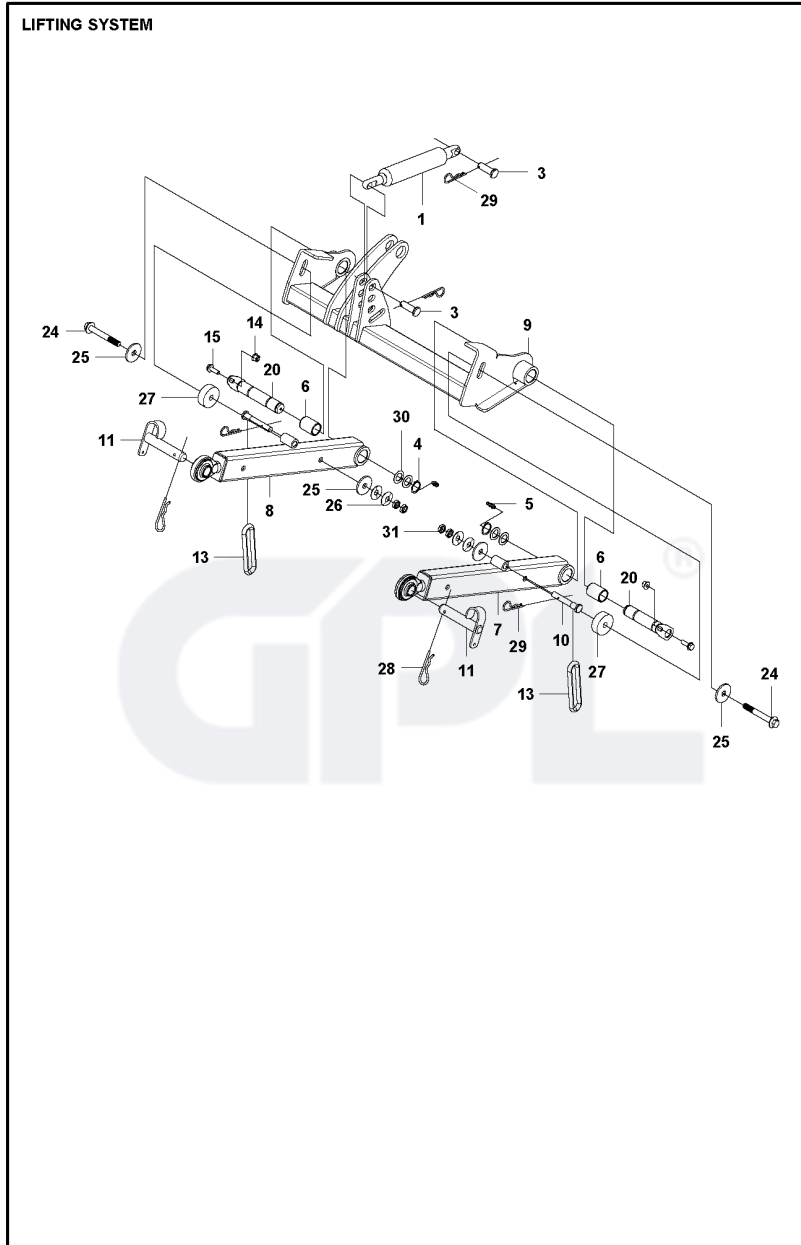
|    |           |                        |   |               |
|----|-----------|------------------------|---|---------------|
| 30 | 535291401 | KABLAGE KPL            | 1 | USB           |
| 31 | 535474901 | NYCKELBRYTARE          | 1 |               |
| 32 | 535476001 | TÄNDNINGSNYCKEL        | 1 |               |
| 34 | 597756701 | KABLAGE KPL            | 1 | TO ENGINE     |
| 35 | 597757001 | KABLAGE KPL            | 1 | STARTER CABLE |
| 36 | 597708301 | KABLAGE KPL            | 1 | MAIN          |
| 37 | 576468401 | BRYTARE                | 1 | 12v Switch    |
| 38 | 597756301 | KABLAGE KPL            | 1 |               |
| 39 | 593987101 | BRYTARE VIPPOMKOPPLARE | 1 | Light Switch  |
| 40 | 589887201 | BRYTARE                | 1 | PTO switch    |
| 41 | 597756001 | KABLAGE KPL            | 1 | 12v Socket    |
| 42 | 593739205 | DISPLAY                | 1 |               |



|    |           |              |   |                   |
|----|-----------|--------------|---|-------------------|
| 43 | 590568002 | MANÖVERDON   | 1 | (IRIS)            |
| 44 | 576958201 | BATTERI      | 1 |                   |
| 45 | 577432001 | KABLAGE      | 1 | GROUND TERMINAL   |
| 46 | 597621501 | HUVUDBRYTARE | 1 | Main switch 12v   |
| 47 | 577325101 | RELÄ         | 4 |                   |
| 48 | 597756501 | KABLAGE KPL  | 1 | Fuse Power        |
| 49 | 599689401 | KABLAGE KPL  | 1 | Road kit control  |
| 50 | 597756201 | KABLAGE KPL  | 1 | P-brake and seat  |
| 51 | 599296601 | KABLAGE KPL  | 1 | Water temp sensor |
| 52 | 598423301 | KABLAGE KPL  | 1 | Jumper, IRIS      |
| 53 | 599738101 | KABLAGE KPL  | 1 | Jumper, P-brake   |
| 54 | 599833601 | PLÅT         | 1 | GROUND TERMINAL   |

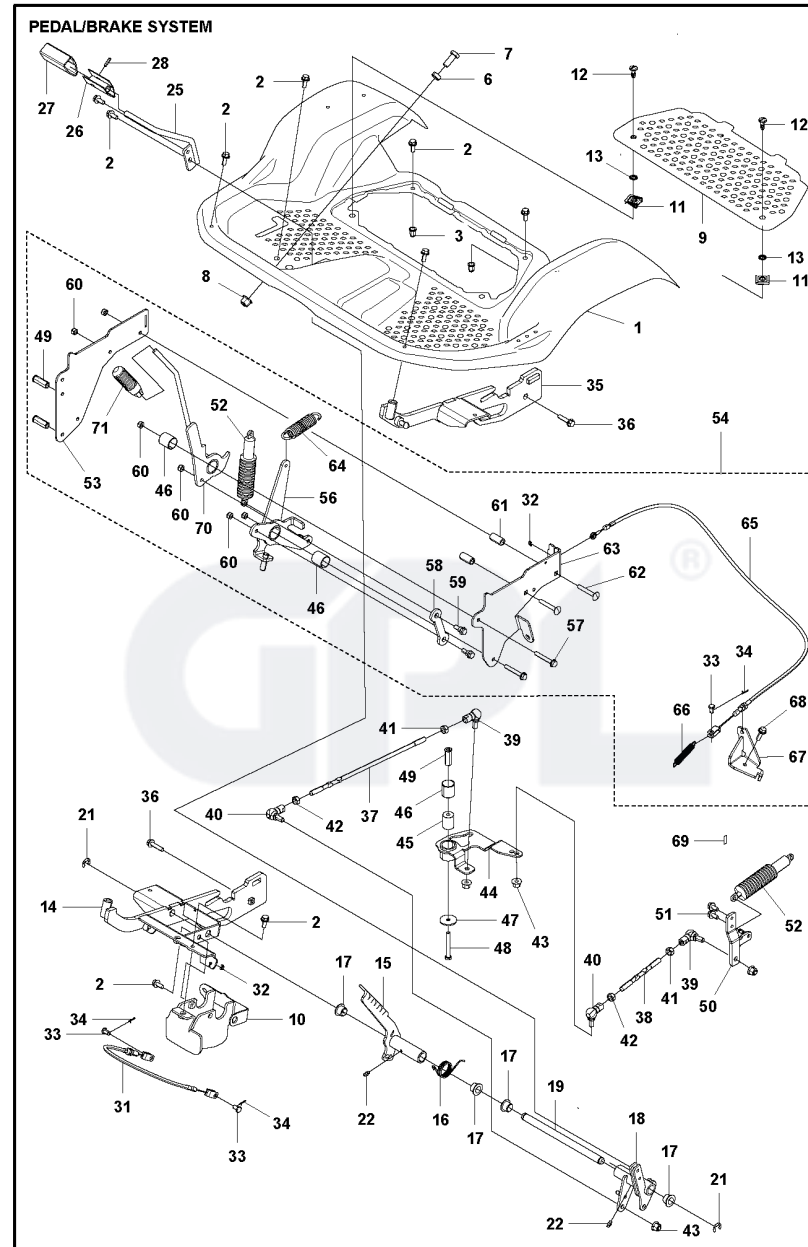
|    |           |           |   |
|----|-----------|-----------|---|
| 56 | 597756901 | KABEL     | 1 |
| 57 | 597757101 | KABEL     | 1 |
| 58 | 544323701 | JORDKABEL | 1 |
| 59 | 501182101 | BUZZER    | 1 |





| Referens | Art.nr    | Artikelnamn | Mängd | Kommentar |
|----------|-----------|-------------|-------|-----------|
| 1        | 576050101 | GAS FJÄDER  | 1     |           |
| 3        | 721857001 | CLEVIS PIN  | 2     |           |
| 4        | 574458801 | SPÅRRING    | 2     |           |
| 5        | 738881002 | SMÖRJNIPPEL | 2     |           |
| 6        | 576630401 | BUSHING     | 2     |           |
| 7        | 597709301 | LYFTARM     | 1     |           |
| 8        | 597709302 | LYFTARM     | 1     |           |
| 9        | 575814401 | BALK        | 1     |           |
| 10       | 504887601 | SPRINT      | 2     |           |
| 11       | 586424701 | SPRINT      | 2     |           |
| 13       | 580717601 | LÄNK        | 2     | LINK      |

|    |           |                     |   |
|----|-----------|---------------------|---|
| 14 | 576645704 | NUT FLANGE          | 2 |
| 15 | 506570105 | SKRUV EHHFM         | 2 |
| 20 | 597709901 | AXEL KPL            | 2 |
| 24 | 576654809 | SKRUV EHHFM         | 2 |
| 25 | 544253201 | BRICKA              | 4 |
| 26 | 579811701 | FJÄDERBRICKA        | 4 |
| 27 | 576625601 | BRICKA              | 2 |
| 28 | 506966601 | HAIR PIN COTTER     | 2 |
| 29 | 721680251 | SPRING COTTER       | 4 |
| 30 | 506504806 | BRICKA              | 4 |
| 31 | 731432201 | HEXAGON TUNN MUTTER | 4 |



| Referens | Art.nr    | Artikelnamn | Mängd | Kommentar |
|----------|-----------|-------------|-------|-----------|
| 1        | 501062201 | PLÅT        | 1     |           |
| 2        | 506570104 | SKRUV EHHFM | 11    |           |
| 3        | 506916201 | MUTTER      | 2     |           |
| 6        | 576998701 | HYLSA       | 1     |           |
| 7        | 725253671 | SKRUV EHHM  | 1     |           |
| 8        | 576645706 | MUTTER      | 1     |           |
| 9        | 501062301 | LOCK        | 1     |           |
| 10       | 582084501 | COVER ASSY  | 1     |           |
| 11       | 575882101 | FÄSTE       | 2     |           |
| 12       | 575881901 | STUD        | 2     |           |
| 13       | 575882001 | HÅLLARE     | 2     |           |

|    |           |             |   |
|----|-----------|-------------|---|
| 14 | 582087101 | STAG        | 1 |
| 15 | 588692001 | PEDALGUMMI  | 1 |
| 16 | 576475101 | FJÄDER      | 1 |
| 17 | 506554301 | LAGER       | 4 |
| 18 | 597848401 | PEDALGUMMI  | 1 |
| 19 | 576348901 | AXEL        | 1 |
| 21 | 735311820 | SPÅRRYTARE  | 2 |
| 22 | 738881001 | SMÖRJNIPPEL | 2 |
| 25 | 576291501 | PEDALARM    | 1 |
| 26 | 535479901 | FOOTPLATE   | 1 |
| 27 | 586966401 | PEDALGUMMI  | 1 |
| 28 | 721430970 | SPÄNNSTIFT  | 1 |



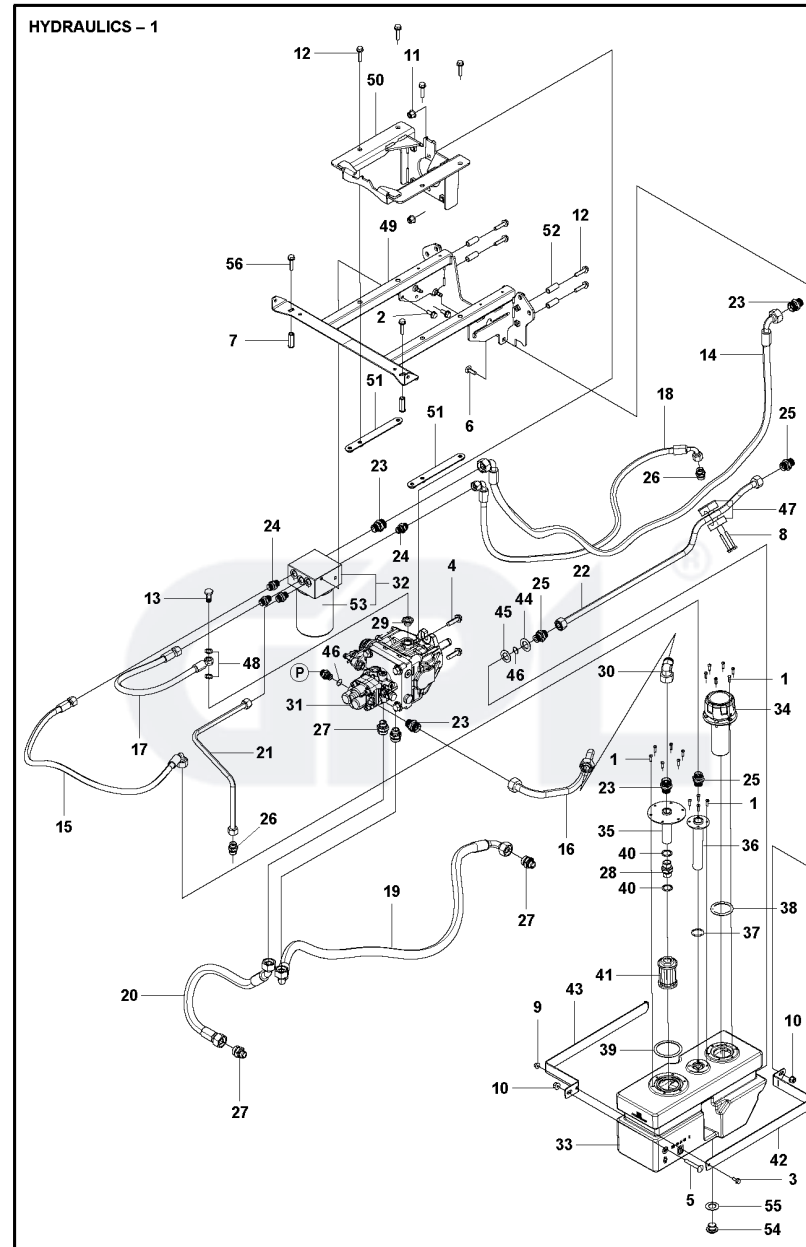
|    |           |                      |   |
|----|-----------|----------------------|---|
| 31 | 576352201 | WIRE KPL             | 1 |
| 32 | 735310920 | SPÅRRYTTARE          | 1 |
| 33 | 721839901 | CLEVIS PIN           | 3 |
| 34 | 721615201 | SPLIT PIN            | 3 |
| 35 | 579370001 | STAG                 | 1 |
| 36 | 506570106 | SKRUV EHHFM          | 2 |
| 37 | 576291402 | TRYCKSTÅNG           | 1 |
| 38 | 576291401 | TRYCKSTÅNG           | 1 |
| 39 | 506789901 | VINKELLÄNK DIN 71802 | 2 |
| 40 | 506789902 | VINKELLÄNK DIN 71802 | 2 |
| 41 | 506897601 | MUTTER               | 2 |
| 42 | 731232001 | MUTTER (HEXAGON)     | 2 |

|    |           |                  |   |
|----|-----------|------------------|---|
| 43 | 576645705 | NUT FLANGE       | 4 |
| 44 | 579440901 | REGLERARM        | 1 |
| 45 | 576351501 | HYLSA            | 1 |
| 46 | 506986101 | LAGER            | 3 |
| 47 | 576351601 | BRICKA           | 1 |
| 48 | 725246451 | SKRUV EHHM       | 1 |
| 49 | 576434201 | MUTTER (HEXAGON) | 3 |
| 50 | 576351201 | REGLERARM        | 1 |
| 51 | 506570103 | SKRUV EHHFM      | 2 |
| 52 | 506938301 | DAMPER           | 2 |
| 53 | 579303601 | FÄSTE            | 1 |
| 54 | 599640101 | PARKERINGSBROMS  | 1 |

|    |           |             |   |
|----|-----------|-------------|---|
| 56 | 588838901 | LÄNKARM     | 1 |
| 57 | 506570107 | SKRUV EHHFM | 2 |
| 58 | 579303801 | PLÅT        | 1 |
| 59 | 506597401 | SKRUV EHHFM | 2 |
| 60 | 732211801 | LOCK NUT    | 6 |
| 61 | 505450301 | RÖR         | 2 |
| 62 | 535423802 | SKRUV RSQM  | 2 |
| 63 | 579303701 | KÅPA        | 1 |
| 64 | 579304001 | FJÄDER      | 1 |
| 65 | 579328702 | KABLAGE KPL | 1 |
| 66 | 544133601 | DRAGFJÄDER  | 1 |
| 67 | 579304101 | FÄSTE       | 1 |

|    |           |             |   |
|----|-----------|-------------|---|
| 68 | 506570105 | SKRUV EHHFM | 1 |
| 69 | 580667801 | DEKAL       | 1 |
| 70 | 599641001 | ARM         | 1 |
| 71 | 588164103 | HANDTAG     | 1 |





| Referens | Art.nr    | Artikelnamn      | Mängd | Kommentar |
|----------|-----------|------------------|-------|-----------|
| 1        | 502435301 | SKRUV ITXPANT    | 16    |           |
| 2        | 506570104 | SKRUV EHHFM      | 2     |           |
| 3        | 725236871 | SKRUV EHHM       | 1     |           |
| 4        | 506675408 | SCREW            | 2     |           |
| 5        | 535423802 | SKRUV RSQM       | 1     |           |
| 6        | 535423801 | SKRUV RSQM       | 1     |           |
| 7        | 576434201 | MUTTER (HEXAGON) | 2     |           |
| 8        | 535475245 | SKRUV EHHFM      | 2     |           |
| 9        | 576645703 | MUTTER           | 1     |           |
| 10       | 576645704 | NUT FLANGE       | 2     |           |
| 11       | 576645705 | NUT FLANGE       | 2     |           |

|    |           |              |    |
|----|-----------|--------------|----|
| 12 | 506570107 | SKRUV EHHFM  | 10 |
| 13 | 575886401 | BULT         | 1  |
| 14 | 575874802 | HYDRAULSLANG | 1  |
| 15 | 576632102 | HYDRAULSLANG | 1  |
| 16 | 579270001 | HYDRAULRÖR   | 1  |
| 17 | 575874701 | HYDRAULSLANG | 1  |
| 18 | 575874602 | HYDRAULSLANG | 1  |
| 19 | 575874503 | HYDRAULSLANG | 1  |
| 20 | 587444601 | HYDRAULSLANG | 1  |
| 21 | 575875901 | HYDRAULRÖR   | 1  |
| 22 | 597696901 | HYDRAULRÖR   | 1  |
| 23 | 575881301 | KOPPLING     | 4  |

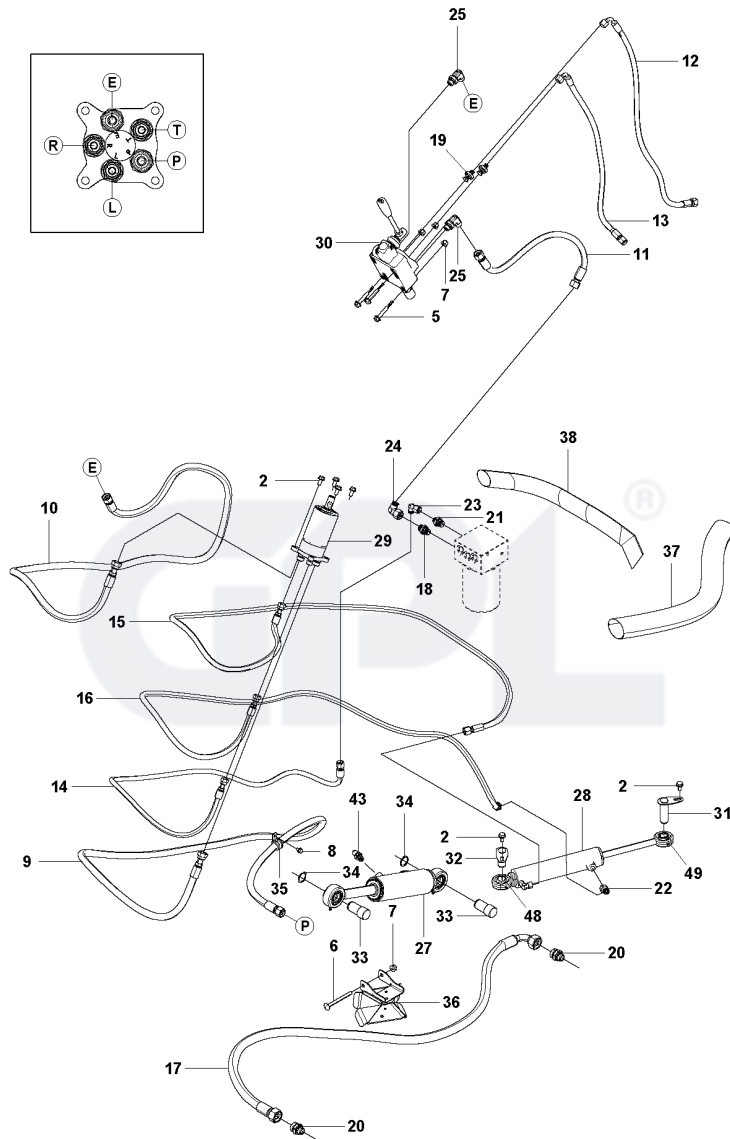
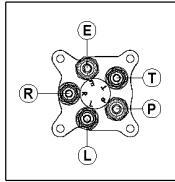
|    |           |                 |   |
|----|-----------|-----------------|---|
| 24 | 575881304 | KOPPLING        | 5 |
| 25 | 575881303 | KOPPLING        | 3 |
| 26 | 575881402 | KOPPLING        | 2 |
| 27 | 575881401 | KOPPLING        | 4 |
| 28 | 544009701 | RÖRKOPPLING     | 1 |
| 29 | 575886501 | RÖRKOPPLING     | 1 |
| 30 | 575881502 | KOPPLING        | 1 |
| 31 | 575886901 | HYDRAULPUMP     | 1 |
| 32 | 597222201 | FILTERKROPP     | 1 |
| 33 | 597929401 | HYDRAULTANK KPL | 1 |
| 34 | 544176401 | TANKLOCK        | 1 |
| 35 | 575870801 | RÖR             | 1 |



|    |           |            |   |
|----|-----------|------------|---|
| 36 | 575870901 | RÖR        | 1 |
| 37 | 544046506 | O-RING     | 1 |
| 38 | 544046503 | O-RING     | 1 |
| 39 | 544046505 | O-RING     | 1 |
| 40 | 544010001 | PACKNING   | 2 |
| 41 | 544001901 | OIL FILTER | 1 |
| 42 | 575871201 | FÄSTE      | 1 |
| 43 | 575871301 | FÄSTE      | 1 |
| 44 | 506775701 | BRICKA     | 1 |
| 45 | 522471301 | BRICKA     | 1 |
| 46 | 740421300 | O-RING     | 2 |
| 47 | 579736101 | RÖRHÅLLARE | 1 |

|    |           |             |   |
|----|-----------|-------------|---|
| 48 | 544010004 | PACKNING    | 2 |
| 49 | 597485201 | FÄSTE       | 1 |
| 50 | 597484801 | FÄSTE       | 1 |
| 51 | 597739501 | PLÅT        | 2 |
| 52 | 506992001 | RÖR         | 4 |
| 53 | 597464301 | OIL FILTER  | 1 |
| 54 | 522471201 | OIL PLUG    | 1 |
| 55 | 522471301 | BRICKA      | 1 |
| 56 | 506570106 | SKRUV EHHFM | 2 |

HYDRAULICS - 2



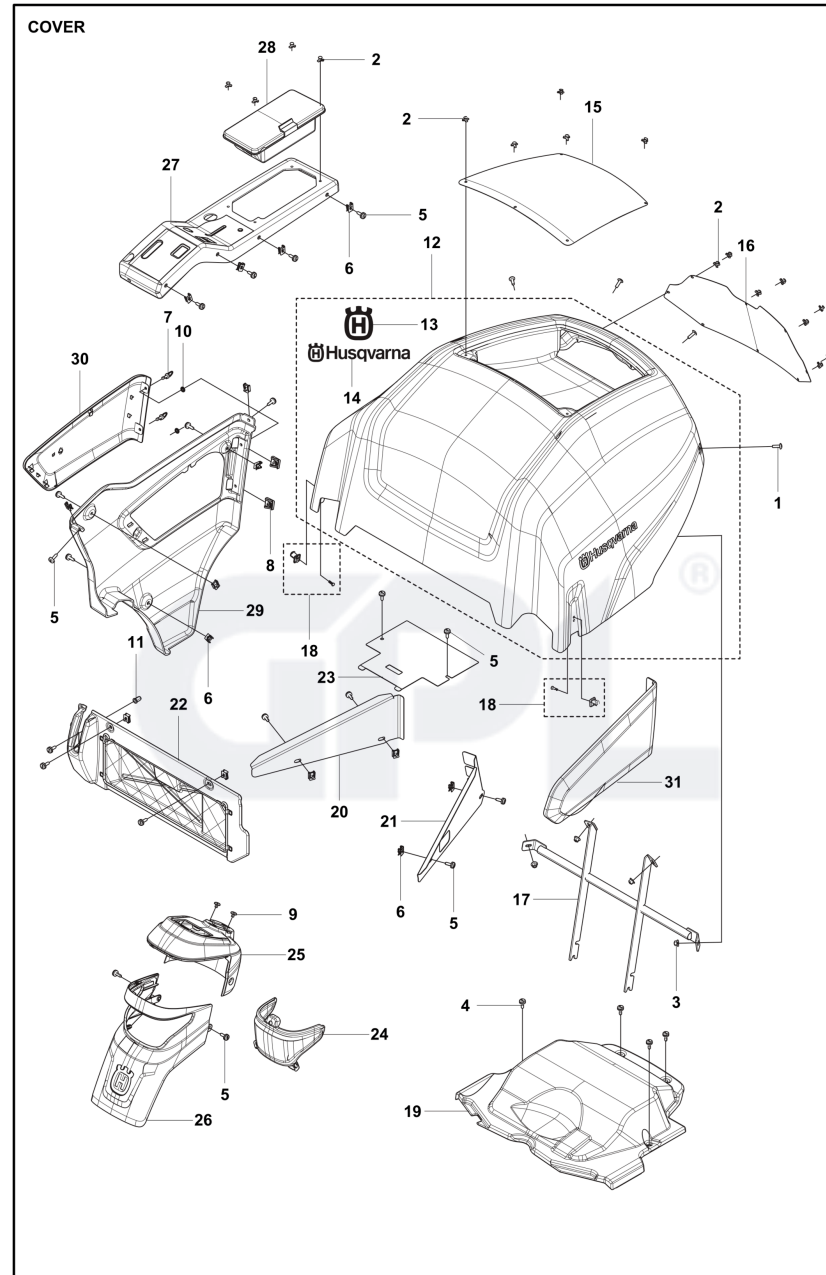
| Referens | Art.nr    | Artikelnamn  | Mängd | Kommentar |
|----------|-----------|--------------|-------|-----------|
| 2        | 506570103 | SKRUV EHHFM  | 6     |           |
| 5        | 506570108 | SKRUV EHHFM  | 3     |           |
| 6        | 727646951 | SKRUV RSQM   | 1     |           |
| 7        | 576645704 | NUT FLANGE   | 9     |           |
| 8        | 725236461 | SKRUV EHHFT  | 1     |           |
| 9        | 575875101 | HYDRAULSLANG | 1     |           |
| 10       | 575875402 | HYDRAULSLANG | 1     |           |
| 11       | 575875801 | HYDRAULSLANG | 1     |           |
| 12       | 598508101 | HYDRAULSLANG | 1     |           |
| 13       | 599128201 | HYDRAULSLANG | 1     |           |
| 14       | 575875002 | HYDRAULSLANG | 1     |           |

|    |           |                 |   |
|----|-----------|-----------------|---|
| 15 | 575875303 | HYDRAULSLANG    | 1 |
| 16 | 575875201 | HYDRAULSLANG    | 1 |
| 17 | 575874401 | HYDRAULSLANG    | 1 |
| 18 | 575881304 | KOPPLING        | 1 |
| 19 | 576444001 | RÖRKOPPLING     | 4 |
| 20 | 575881401 | KOPPLING        | 2 |
| 21 | 575881302 | KOPPLING        | 1 |
| 22 | 579737601 | RÖRKOPPLING     | 1 |
| 23 | 575881501 | KOPPLING        | 1 |
| 24 | 575881503 | KOPPLING        | 1 |
| 25 | 597948301 | ANSLUTNING      | 2 |
| 27 | 598844901 | HYDRAULCYLINDER | 1 |

|    |           |                 |   |
|----|-----------|-----------------|---|
| 28 | 537594501 | HYDRAULCYLINDER | 1 |
| 29 | 589651201 | SERVOSTYRNING   | 1 |
| 30 | 586512001 | VENTIL          | 1 |
| 31 | 576286401 | AXEL KPL        | 1 |
| 32 | 576286402 | AXEL KPL        | 1 |
| 33 | 576308501 | SPRINT          | 2 |
| 34 | 735312600 | SPÅRRING        | 2 |
| 35 | 574531203 | SLANGKLÄMMA     | 1 |
| 36 | 597844602 | TUBE ASSY       | 1 |
| 37 | 505453802 | SLANGSKYDD      | 1 |
| 38 | 505453804 | SLANGSKYDD      | 1 |
| 43 | 575881306 | KOPPLING        | 2 |

|    |           |             |   |
|----|-----------|-------------|---|
| 48 | 586978501 | LAGER       | 1 |
| 49 | 595878501 | SERVICE KIT | 1 |







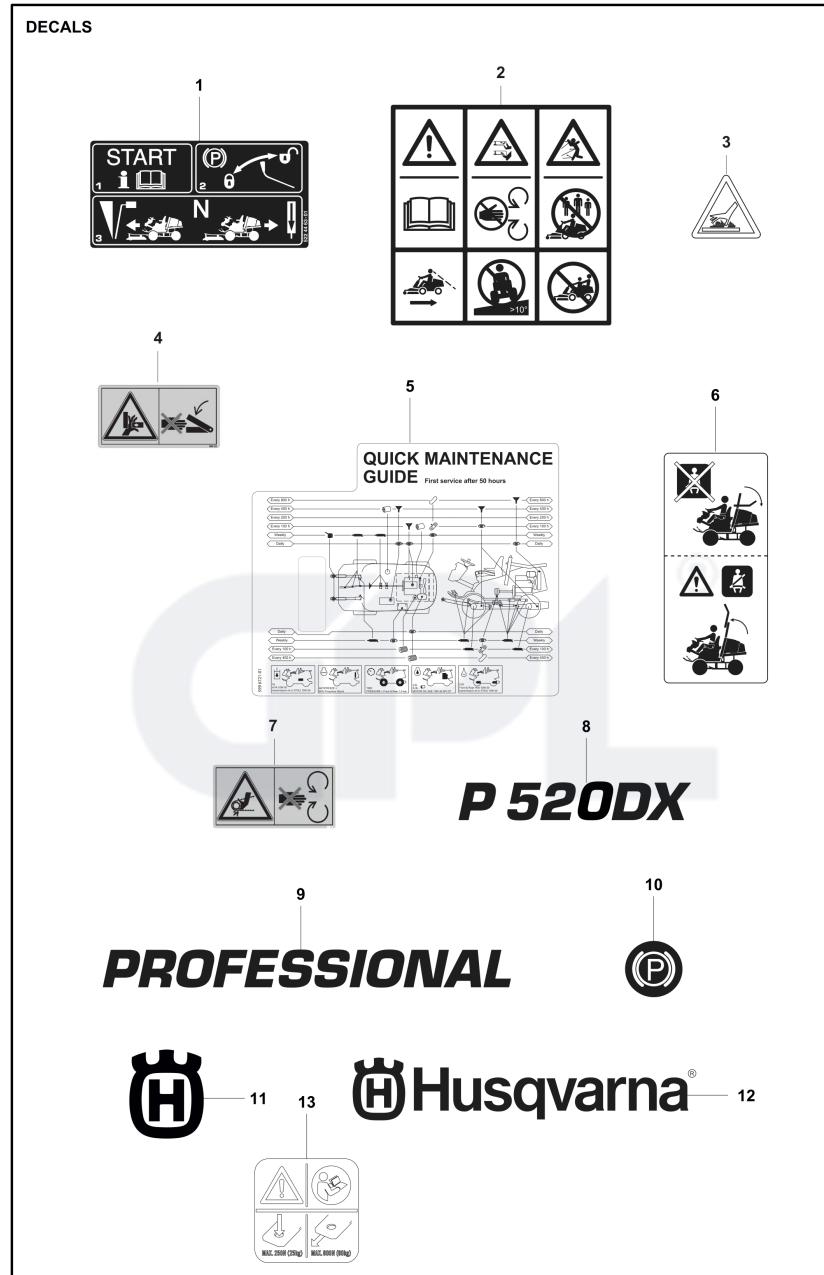
| Referens | Art.nr    | Artikelnamn  | Mängd | Kommentar |
|----------|-----------|--------------|-------|-----------|
| 1        | 535425802 | SKRUV IHPANM | 4     |           |
| 2        | 577013901 | NIT          | 17    |           |
| 3        | 576645703 | MUTTER       | 4     |           |
| 4        | 574856201 | SCREW        | 4     |           |
| 5        | 574856202 | SCREW        | 20    |           |
| 6        | 535429101 | SPRING NUT   | 15    |           |
| 7        | 597907101 | LÅSPINNE     | 2     |           |
| 8        | 597907001 | KLÄMMA       | 2     |           |
| 9        | 522557301 | SCREW        | 2     |           |
| 10       | 597907601 | BRICKA       | 2     |           |
| 11       | 506916204 | MUTTER       | 1     |           |

|    |           |               |   |
|----|-----------|---------------|---|
| 12 | 581878601 | MOTORKÅPA     | 1 |
| 13 | 576973401 | DEKAL         | 1 |
| 14 | 577469001 | DEKAL         | 2 |
| 15 | 581747101 | NET           | 1 |
| 16 | 581747401 | NET           | 1 |
| 17 | 576237501 | GÅNGJÄRN      | 1 |
| 18 | 577229701 | STYRNING      | 2 |
| 19 | 598025701 | KÅPA          | 1 |
| 20 | 586332001 | TÄCKPLATTA    | 1 |
| 21 | 597925001 | KÅPA          | 1 |
| 22 | 599705001 | TÄCKLOCKSSATS | 1 |
| 23 | 599584702 | PLÅT          | 1 |

|    |           |      |   |
|----|-----------|------|---|
| 24 | 589495701 | KÅPA | 1 |
| 25 | 597268801 | KÅPA | 1 |
| 26 | 597269001 | KÅPA | 1 |
| 27 | 597269303 | KÅPA | 1 |
| 28 | 597582301 | LÅDA | 1 |
| 29 | 597268402 | KÅPA | 1 |
| 30 | 597268501 | LOCK | 1 |
| 31 | 597576001 | KÅPA | 1 |



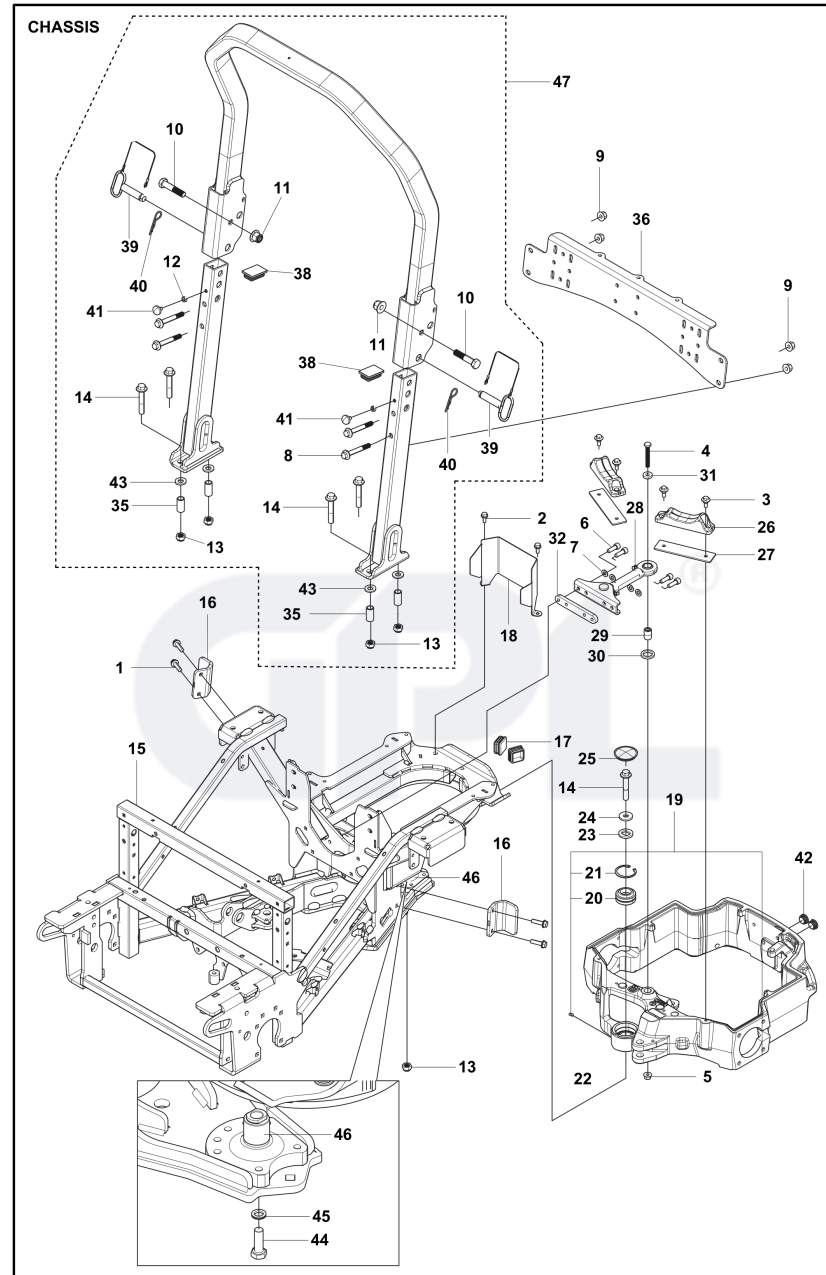
DECALS



| Referens | Art.nr    | Artikelnamn | Mängd | Kommentar |
|----------|-----------|-------------|-------|-----------|
| 1        | 522446301 | DEKAL       | 1     |           |
| 2        | 582570005 | DEKAL       | 1     |           |
| 3        | 505516601 | DEKAL       | 1     |           |
| 4        | 580712901 | DEKAL       | 4     |           |
| 5        | 599672101 | DEKAL       | 1     |           |
| 6        | 593585201 | DEKAL       | 1     |           |
| 7        | 580712801 | DEKAL       | 1     |           |
| 8        | 599655101 | DEKAL       | 2     |           |
| 9        | 598729401 | DEKAL       | 2     |           |
| 10       | 506584501 | DEKAL       | 1     |           |
| 11       | 574382101 | DEKAL       | 1     |           |

|    |           |       |   |
|----|-----------|-------|---|
| 12 | 577469001 | DEKAL | 1 |
| 13 | 546284006 | DEKAL | 1 |





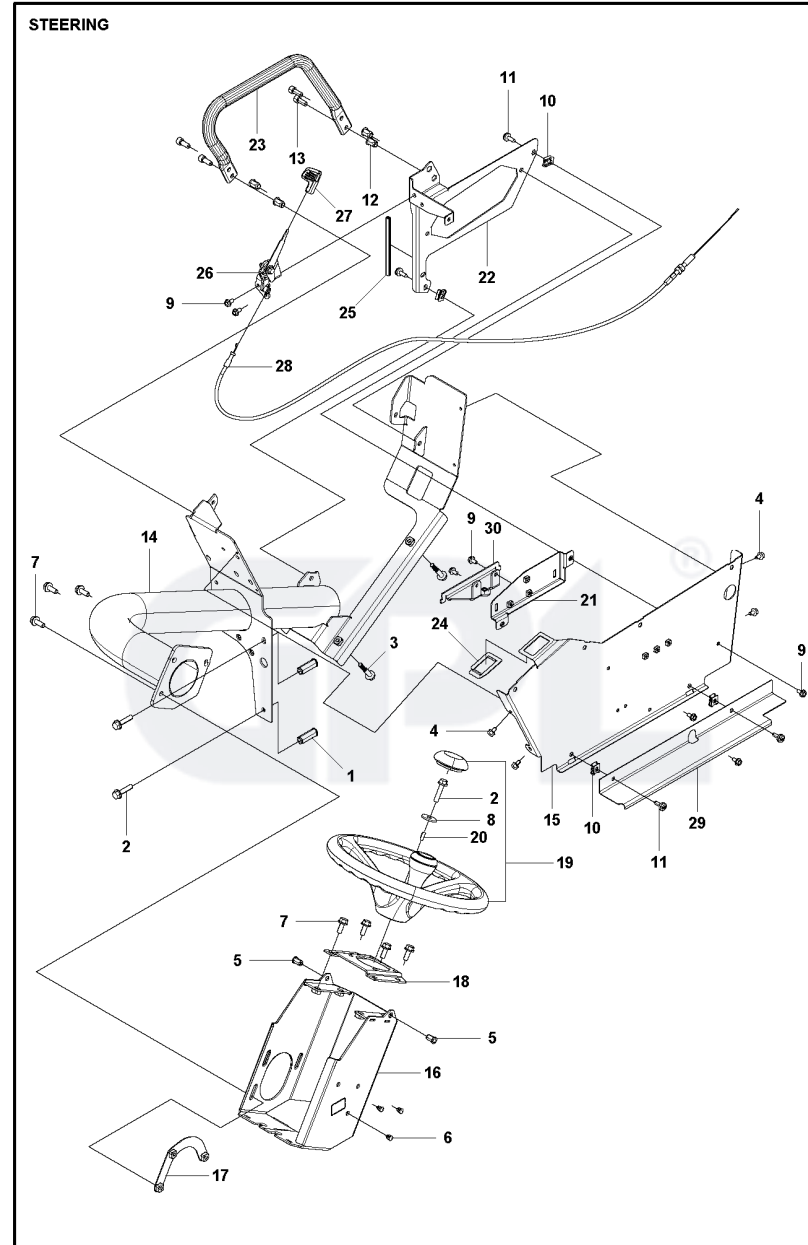
| Referens | Art.nr    | Artikelnamn | Mängd | Kommentar |
|----------|-----------|-------------|-------|-----------|
| 1        | 506675408 | SCREW       | 4     | M10 X 35  |
| 2        | 506570104 | SKRUV EHHFM | 2     | M8 X 20   |
| 3        | 544362401 | SCREW       | 4     | M8 X 23,5 |
| 4        | 577376701 | SKRUV EHHM  | 1     | M10 X 70  |
| 5        | 576645705 | NUT FLANGE  | 1     | M10       |
| 6        | 502233601 | SKRUV IHSCM | 4     | M10 X 30  |
| 7        | 734117201 | BRICKA      | 4     |           |
| 8        | 576654809 | SKRUV EHHFM | 4     | M12 X 90  |
| 9        | 576645706 | MUTTER      | 4     | M12       |
| 10       | 577411601 | SKRUV EHHM  | 2     | M16 X 75  |
| 11       | 577411901 | NUT FLANGE  | 2     | M16 Lock  |



|    |           |                  |   |          |
|----|-----------|------------------|---|----------|
| 12 | 731231801 | MUTTER (HEXAGON) | 2 | M8       |
| 13 | 597972501 | MUTTER           | 5 | M14      |
| 14 | 597972301 | SCREW            | 5 | M14 X 80 |
| 15 | 597707502 | FRAME ASSY       | 1 |          |
| 16 | 579622301 | KONTAKTBLECK     | 2 |          |
| 17 | 544254101 | PLUGG            | 2 |          |
| 18 | 596677101 | KÅPA             | 1 |          |
| 19 | 594744701 | Bakaxel Kpl      | 1 |          |
| 20 | 594744501 | LAGER            | 1 |          |
| 21 | 598565001 | LOCKING RING     | 1 |          |
| 22 | 738881001 | SMÖRJNIPPEL      | 1 |          |
| 23 | 597613901 | FIXERPLATTA      | 1 |          |

|    |           |                  |   |
|----|-----------|------------------|---|
| 24 | 597614101 | DISTANSRING      | 1 |
| 25 | 510034003 | HATT             | 1 |
| 26 | 585563001 | SLITPLÅT         | 2 |
| 27 | 576474201 | PLATTA           | 2 |
| 28 | 596973701 | LÄNK KPL         | 1 |
| 29 | 583854701 | AXELTAPP         | 1 |
| 30 | 583861201 | BRICKA           | 1 |
| 31 | 578246401 | HYLSA            | 1 |
| 32 | 597010701 | PLÅT             | 1 |
| 35 | 579703302 | RÖRHYLSA         | 4 |
| 36 | 577406101 | FÖRSTYVNINGSPLÅT | 1 |
| 38 | 577668101 | PLASTIC COVER    | 2 |

|    |           |                   |   |                   |
|----|-----------|-------------------|---|-------------------|
| 39 | 574388002 | TAPP              | 2 |                   |
| 40 | 721680251 | SPRING COTTER     | 2 |                   |
| 41 | 501976601 | VIBRATIONISOLATOR | 2 |                   |
| 42 | 580643101 | INSATS            | 2 |                   |
| 43 | 529554301 | BRICKA            | 4 |                   |
| 44 | 725249551 | SKRUV EHHM        | 7 |                   |
| 45 | 522449801 | BRICKA            | 1 |                   |
| 46 | 596663001 | AXEL              | 1 |                   |
| 47 | 547663501 | STÖRTBÅGE         | 1 | Complete rops kit |

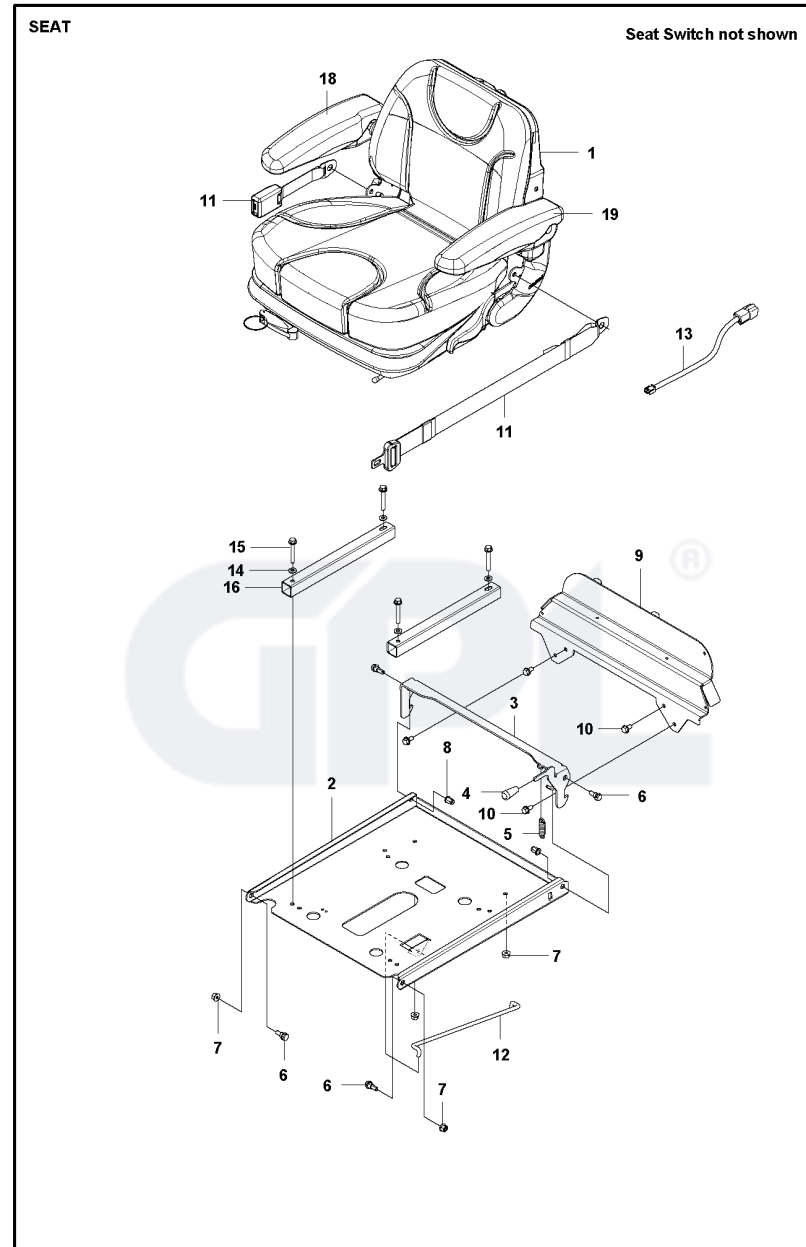


| Referens | Art.nr    | Artikelnamn      | Mängd | Kommentar |
|----------|-----------|------------------|-------|-----------|
| 1        | 576434201 | MUTTER (HEXAGON) | 2     |           |
| 2        | 506570106 | SKRUV EHHFM      | 3     |           |
| 3        | 506570101 | SKRUV EHHFM      | 2     |           |
| 4        | 725236461 | SKRUV EHHFT      | 4     |           |
| 5        | 506916204 | MUTTER           | 2     |           |
| 6        | 580272901 | INSATS           | 3     |           |
| 7        | 506570104 | SKRUV EHHFM      | 7     |           |
| 8        | 544221601 | BRICKA           | 1     |           |
| 9        | 535475212 | SKRUV EHHFM      | 6     |           |
| 10       | 535429101 | SPRING NUT       | 4     |           |
| 11       | 574856202 | SCREW            | 4     |           |

|    |           |             |   |
|----|-----------|-------------|---|
| 12 | 506916201 | MUTTER      | 4 |
| 13 | 725545101 | SKRUV IHSCM | 4 |
| 14 | 597508901 | KONSOL      | 1 |
| 15 | 599811201 | PANEL ASSY  | 1 |
| 16 | 599584101 | FÄSTE       | 1 |
| 17 | 576444301 | PLÅT        | 1 |
| 18 | 597496001 | FÄSTE       | 1 |
| 19 | 544291401 | RATT        | 1 |
| 20 | 735881200 | WOODRUFFKIL | 1 |
| 21 | 597453401 | FÄSTE       | 1 |
| 22 | 597454701 | FÄSTE       | 1 |
| 23 | 597268601 | HANDTAG KPL | 1 |

|    |           |              |   |
|----|-----------|--------------|---|
| 24 | 544404301 | LÅSBRICKA    | 1 |
| 25 | 580328203 | TÄTNINGSLIST | 1 |
| 26 | 597466601 | GASREGLAGE   | 1 |
| 27 | 592933401 | KNOPP        | 1 |
| 28 | 593785801 | VAJER        | 1 |
| 29 | 529511701 | KÅPA         | 1 |
| 30 | 529674101 | FÄSTE        | 1 |







| Referens | Art.nr    | Artikelnamn   | Mängd | Kommentar                              |
|----------|-----------|---------------|-------|--|
| 1        | 529521701 | SÄTE KPL      | 1     |  |
| 2        | 599533202 | PLÅT          | 1     |  |
| 3        | 537594601 | SPÄRRHAKE     | 1     | From S/N 20234000009                   |
| 3        | 538979101 | SPÄRRHAKE KPL | 1     | Up to S/N 20234000008, including POS 4 |
| 4        | 535438201 | KNOPP         | 1     | Up to S/N 20234000008                  |
| 4        | 537464201 | KNOPP         | 1     | From S/N 20234000009                   |
| 5        | 544218103 | DRAGFJÄDER    | 1     |  |
| 6        | 506597401 | SKRUV EHHFM   | 4     |  |
| 7        | 576645704 | NUT FLANGE    | 6     |  |
| 8        | 506916201 | MUTTER        | 2     |  |
| 9        | 576543001 | FÄSTE         | 1     |  |

|    |           |             |   |           |
|----|-----------|-------------|---|-----------|
| 10 | 506570103 | SKRUV EHHFM | 4 |           |
| 11 | 544914301 | SAFETY BELT | 1 |           |
| 12 | 575883501 | STAG        | 1 |           |
| 13 | 531110401 | SELE        | 1 |           |
| 14 | 734116401 | BRICKA      | 4 |           |
| 15 | 725246151 | SKRUV EHHM  | 4 |           |
| 16 | 588612301 | DISTANS     | 2 |           |
| 17 | 529905201 | BRYTARE     | 1 | NOT SHOWN |
| 18 | 582310201 | ARMSTÖD     | 1 |           |
| 19 | 582310401 | ARMSTÖD     | 1 |           |